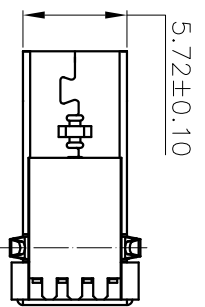
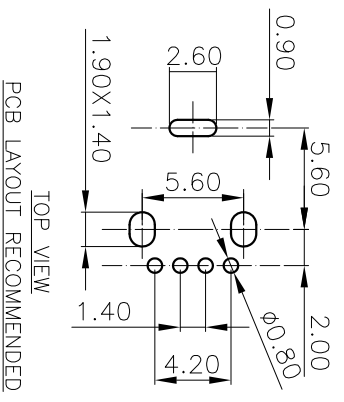
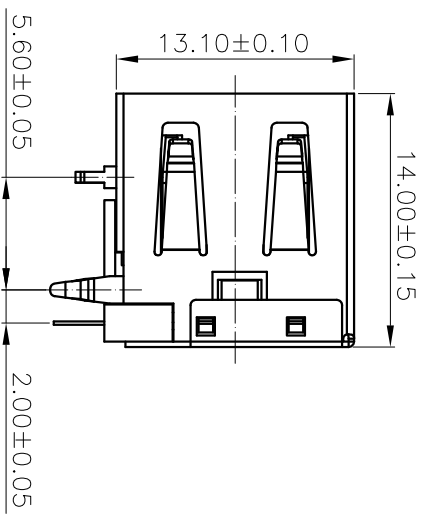
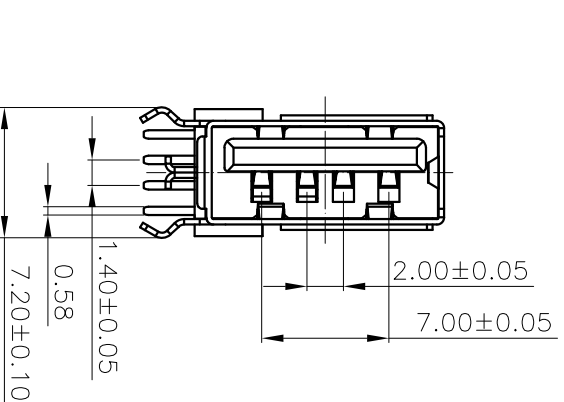


1 MODIFY *



NO	PART NAME	MATERIAL	STATUS
1	HOUSING	CODE	BK
2	CONTACT	BRASS T=0.25	GF/T
3	SHELL	BRASS T=0.3	NI

TOP VIEW
PCB LAYOUT RECOMMENDED

[BPOA2345] SERIES

USB Connector, Single Deck,
A Type, For PCB, Right Angle,
Dip, Side Entry, Outward-Lift,

Physical:

Housing: High Temperature Thermoplastic
Contact: Copper Alloy
Shell: Copper Alloy

Specifications:

Voltage Current Rating: 1A, 30V AC
Insulation Resistance: 1000M ohm min
Contact Resistance: 30m ohm max
Dielectric Withstanding Voltage:
AC 500V For 1 Minute

Temperature Rating: -55°C To +105°C
Wave soldering process (Pb free)
peck temp. :260±5°C

Conveyor speed requirement:
80cm/min (Minimum)

BPOA 2345 VB X A X -G

- 1.SERIES NO. 1 2 3 4 5 6
- 2.PLATING VB= GOLD FLASH
- 3.COLOR A=BLACK (Standard)
D=WHITE
- 4.PACKAGE A=TRAY
- 5.HOUSING MATERIAL 1=PBT (Standard)
2=LCP=LCP
- 6.GREEN OPTIONS G=RoHS COMPLIANT

APTOS TECHNOLOGY

USB CONNECTOR

ENGINEER DWG	TITLE
UNIT:mm	DWG NO.
SIZE: A4	SCALE
	SHEET 1 OF 1

REV.	DATE	APPD.	CHR.	DR.	TOLERANCE UNLESS OTHERWISE SPECIFIED
1.0	2010/09/30	BING	MICHAEL	DEFEND	X.X±0.38
1.3	2011/10/27	BING	MICHAEL	JACY	X.XX±0.25
1.4	2015/12/18	BING	DANIEL	ABC	±3